

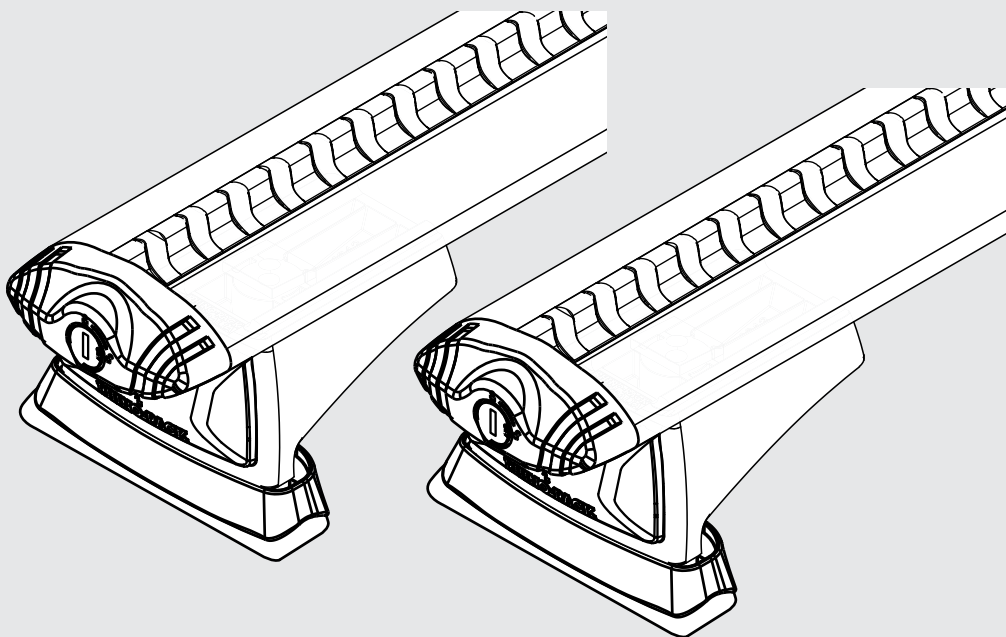
RHINO-RACK

RCH / RCL

Important:

1. Check the Rhino-Rack website to ensure you have the latest issue of these instructions.
2. Please refer to your fitting instruction to ensure that the roof racks are installed in the correct locations.
3. Check the contents of kit before commencing fitment and report any discrepancies.
4. Place these instructions in the vehicle's glove box after installation is complete.
5. These instructions must be followed for warranty to be upheld.

Fit Time: 15 min per crossbar

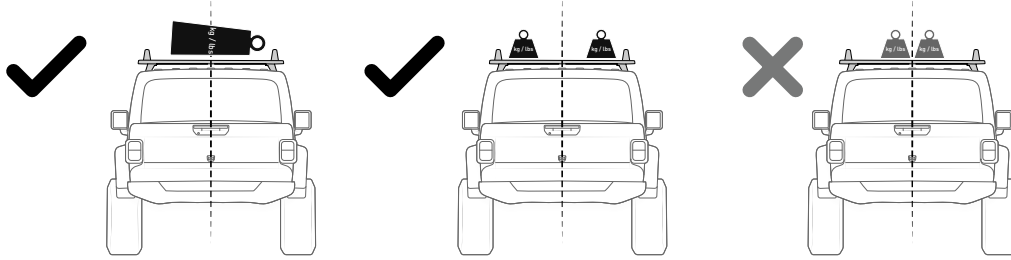


RHINORACK.COM

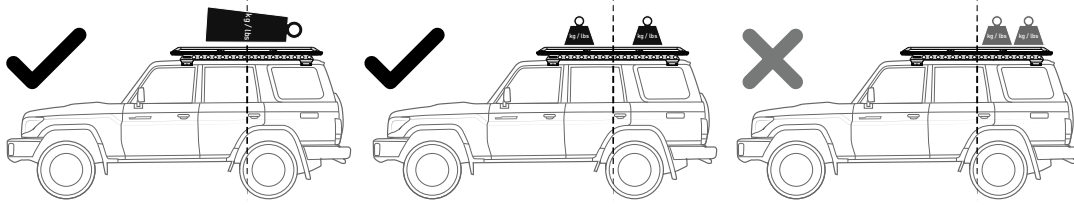
Doc. No: R1182

Issue No: 01

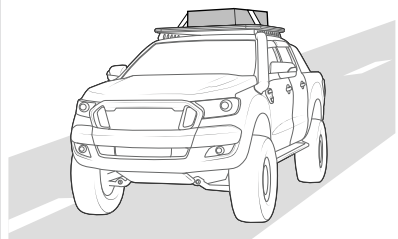
Issue Date: 3/02/2025



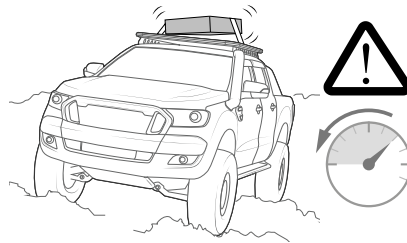
Distribute loads evenly and longitudinally as low as possible over the span.



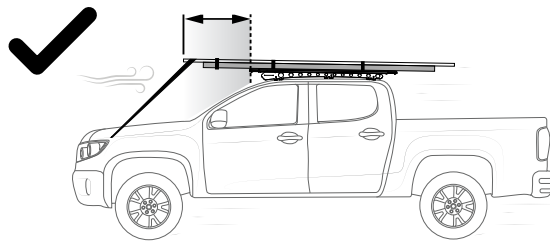
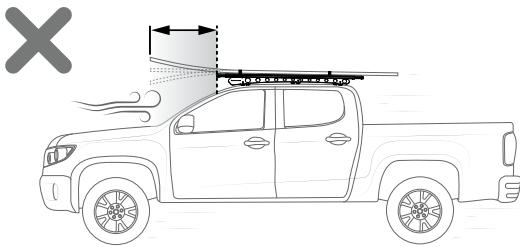
Avoid point loads concentrated at the front or rear.



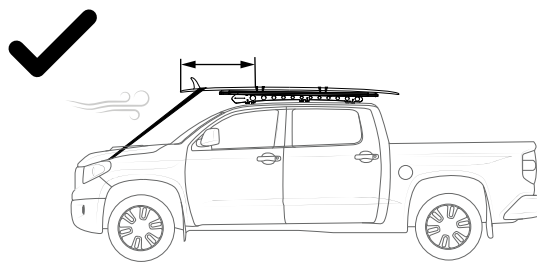
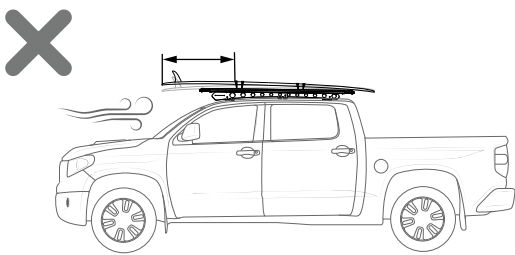
Exercise extreme care when transporting wind-resistant loads. Special consideration must be taken when cornering and braking.



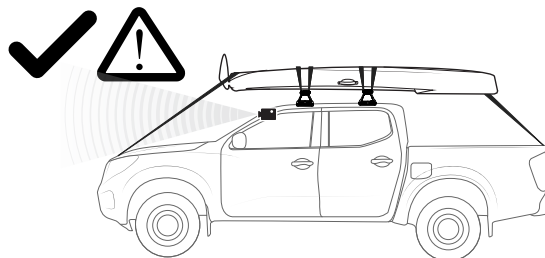
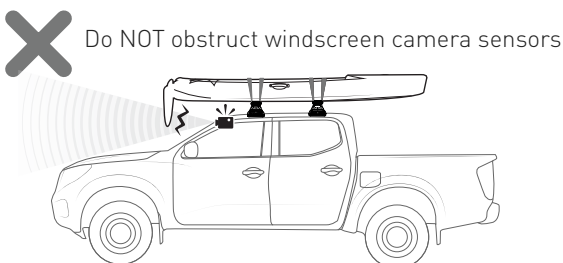
Off-road conditions can be much more rigorous. Extreme care must be taken on any driven path that does not contain a surface protection layer (tar/bitumen).



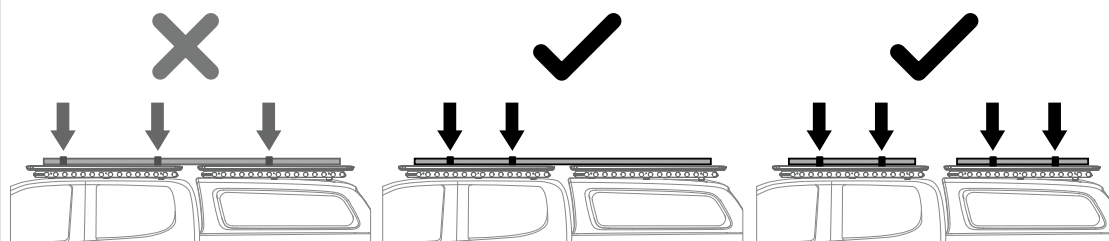
Long flexible loads must attach securely to rigid support and be tied down to the bonnet.



Surfboard Overhang greater than **600mm / 23 5/8in** must be tied to the bonnet

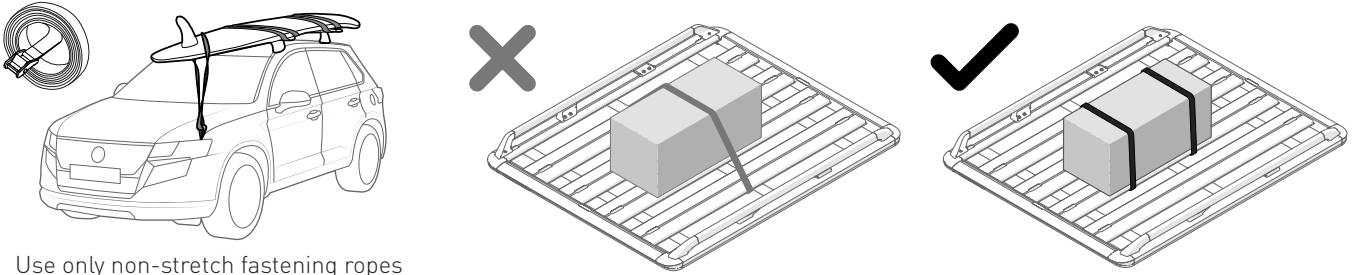
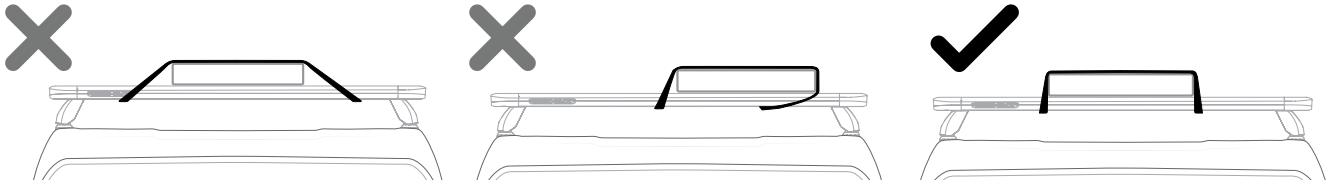


Warranty for roof rack system will be void if the front of the kayak is not secured to the bonnet

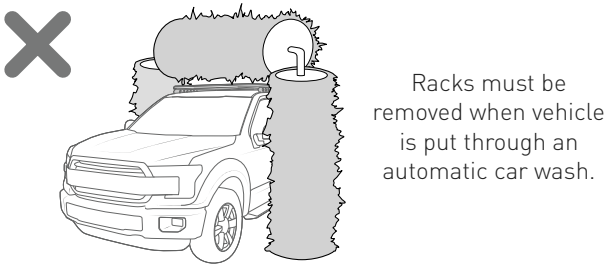


Tub/tray/canopys can move independently from the vehicle cabin.

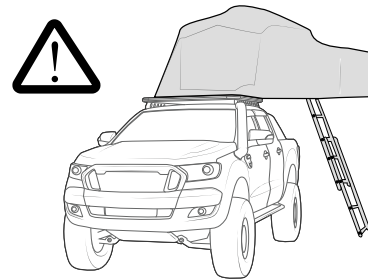
Rigidly fix to either the cabin roof racks **or** the tub/tray/canopy roof racks but not both simultaneously.



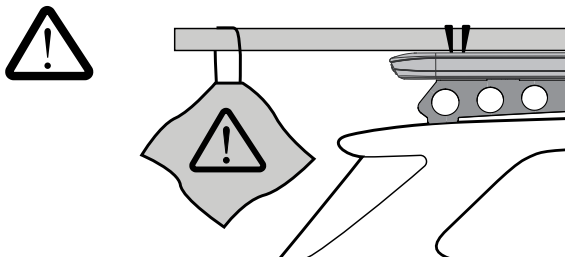
Use only non-stretch fastening ropes or straps to attach cargo to roof racks



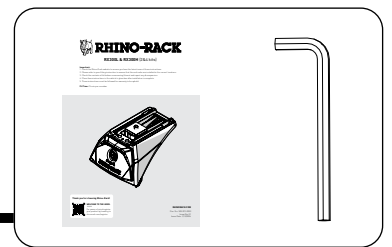
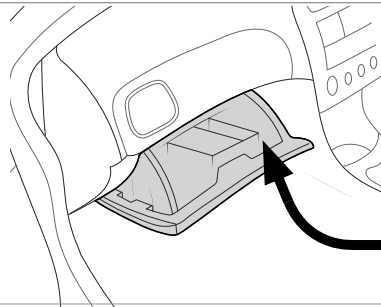
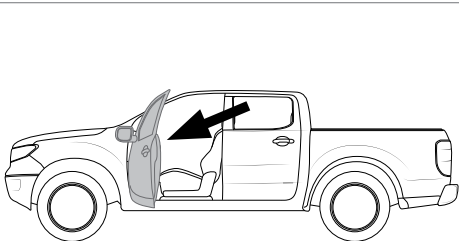
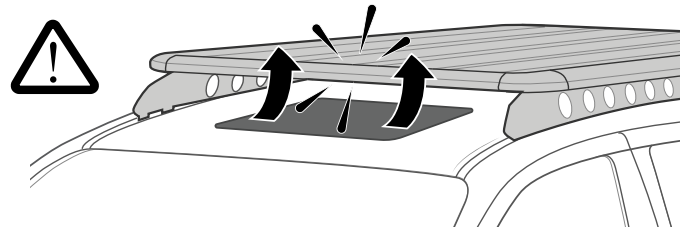
Racks must be removed when vehicle is put through an automatic car wash.



Ensure Ladder is well supported on the ground to support tent. Take extreme caution when climbing heights above 1.2m/4ft.



Ensure sunroof will not collide with roof rack system.



[Youtube.com/Rhinorackaustralia](https://www.youtube.com/Rhinorackaustralia)



Carrying Capacity

Check the website and the **vehicle owners hand book** for your vehicle manufacturer's maximum carrying capacity. Load must be evenly distributed over the system. For **Pioneer** carrying capacity, refer to the **Pioneer supplement sheet**.

<div style="background-color: black; color: white; border-radius: 15px; padding: 5px; display: inline-block;"> 2 BARS </div>	DYNAMIC LOAD LIMIT (On and Off-road) : <small>*USE THE VEHICLE MANUFACTURER'S MAXIMUM ROOF ALLOWANCE IF IT IS LOWER THAN THE FIGURE LISTED</small>				
	 <small>CARGO</small>	 <small>SYSTEM WEIGHT</small>	 <small>LOAD LIMIT</small>	 <small>Max kg</small>	
<div style="background-color: black; color: white; border-radius: 15px; padding: 5px; display: inline-block;"> 3 BARS </div>	UP TO 95 KG 208 lbs	+ 5 KG 12 lbs	=	UP TO 100 KG 220 lbs	*VEHICLE MANUFACTURER'S ROOF LOAD LIMIT
<small>STATIC LOAD LIMIT: UP TO 250KG / 551LBS*</small>					

<div style="background-color: black; color: white; border-radius: 15px; padding: 5px; display: inline-block;"> 1 BAR </div>	DYNAMIC LOAD LIMIT (On and Off-road) : <small>*USE THE VEHICLE MANUFACTURER'S MAXIMUM ROOF ALLOWANCE IF IT IS LOWER THAN THE FIGURE LISTED</small>		
	 <small>CARGO</small>	 <small>SYSTEM WEIGHT</small>	 <small>LOAD LIMIT</small>
 1 Bar Fixed Carrying Capacity <small>Total weight for objects fixed or attached to only one bar</small>	UP TO 10 KG 22 lbs	 <small>CARGO</small>	UP TO 50 KG 110 lbs
 1 Bar Resting Carrying Capacity <small>For loads that are resting on 1 crossbar, NOT rigidly attached or fixed</small>	UP TO 10 KG 22 lbs	 <small>CARGO</small>	UP TO 50 KG 110 lbs



Cargo Load Limit

Total permissible weight allowed on top, and attached to roof racks whilst the vehicle is in motion.



System Weight

Total weight of the roof rack system. (e.g. Crossbars, Backbone, Platform)



Max System Load Capacity

Please ensure you use the vehicle manufacturer's maximum roof allowance if it is lower than the figure listed in the fitting chart/supplement.



Vehicle Manufacturer's Load Limit

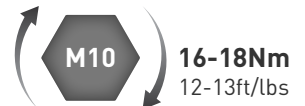
Total permissible weight attached to the roof of the car. This is inclusive of the weight of the roof rack system.

In service maintenance checks

- All bolt connections should be checked after driving a short distance (5-10 mins street roads) when you first install your roof racks.
- All bolted connections should be checked again at regular intervals (weekly is recommended, depending on road conditions, usage, loads and distances travelled).
- All bolted connections should be checked each time they are re-fitted.
- Off-road conditions are more rigorous. Check all bolted connections and your load more regularly.
- Ensure that your vehicle manufacturer's GVM, and gross axle weights are not exceeded (refer to vehicle owner's manual).

Torque Settings:

Unless stated otherwise in these instructions, all fasteners should be set to the following torque settings:



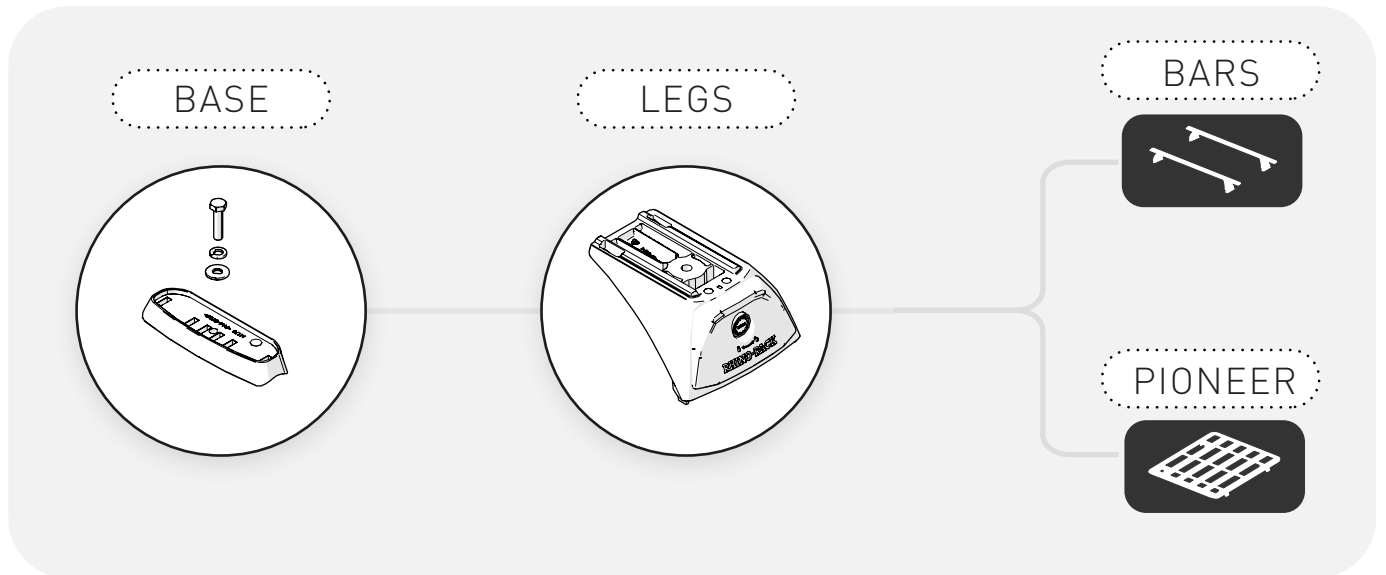
Note for Dealers and Fitters

It is your responsibility to ensure these fitting instructions are given to the end user or client. These instructions remain the property of Rhino-Rack Australia Pty. Ltd. and may not be used or changed for any other purpose than intended.





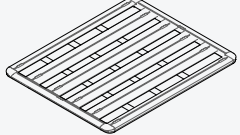
Warranty

We love creating our products for you and hope you love using them too. For complete peace of mind, register your product at www.rhinorack.com/warranty. This way, we can quickly help you with any future warranty claims. And remember – never to forget to **Make Space For Adventure!**

To complete the installation ensure you have **Base Kit, Legs** and **Crossbars** or **Pioneer**



Compatibility Table

SPORTZ BAR	VORTEX BAR	RECONN DECK BAR	HEAVY DUTY BAR	PIONEER PLATFORM
				

SPORTZ

RECONN-DECK

PIONEER

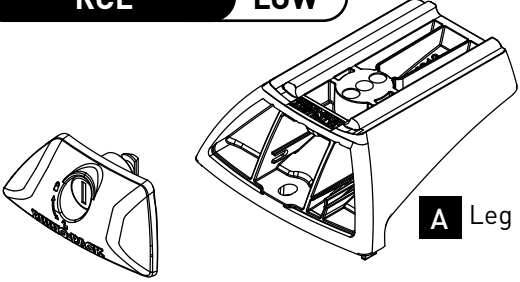
NOTE

The fitting instructions will be shown using a **SPORTZ** bar. For all bars please follow the same steps. When a variation in steps is required, refer to the notes to find the correct steps that match your bar.

Parts List

RCL

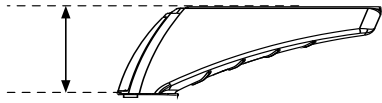
LOW



A Leg Base RCL

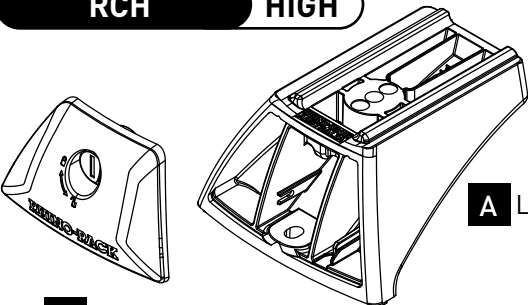
B Leg Cover RCL

RX300 L
37mm
(1 7/16")



RCH

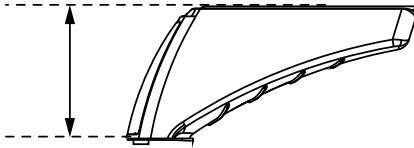
HIGH



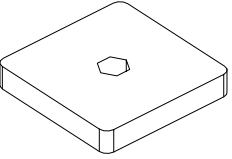
A Leg Base RCH

B Leg Cover RCH

RX300 H
52mm
(2 1/16")

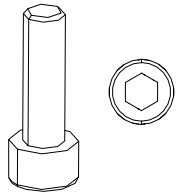


Square Nut (M6)



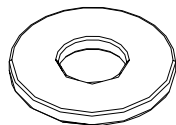
C

Socket Head Screw (M6 x 20mm)



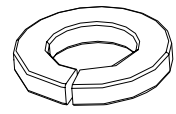
D

Flat Washer (M6 X 16 x 1.6)



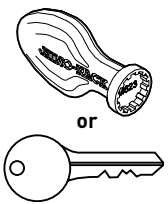
E

Spring Washer (M6)



F


Rhino-Rack Key



or

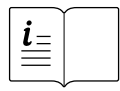
G x2

Allen Key



H x1

Instructions

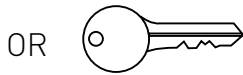
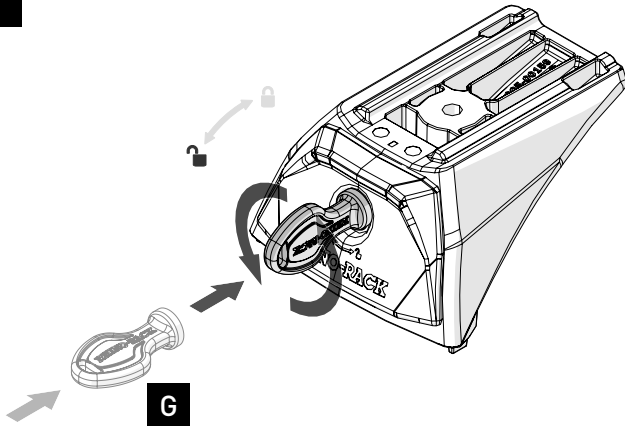


I x1

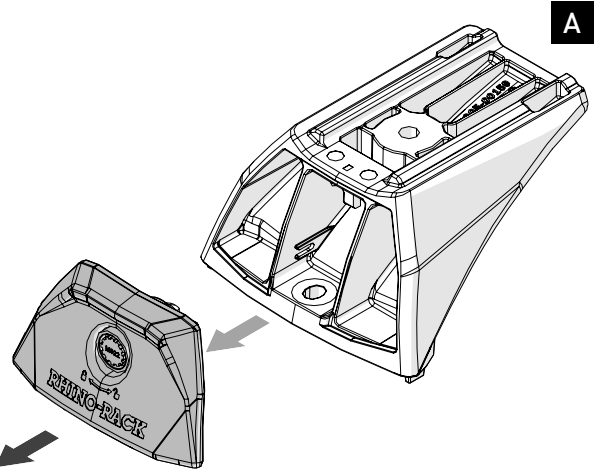
Tools required:
T1 - Cutting Tool

PART	PART NAME	RX300 2 Kit	RX300 4 Kit
A	Leg Base	2	4
B	Leg Cover	2	4
C	Square Nut	2	4
D	Socket Head Screw	2	4
E	Flat Washer	2	4
F	Spring Washer	2	4
G	Rhino-Rack Key	2	2
H	Allen Key	1	1
I	Instructions	1	1

1



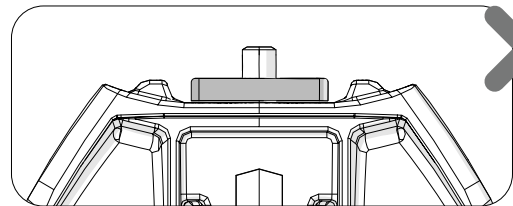
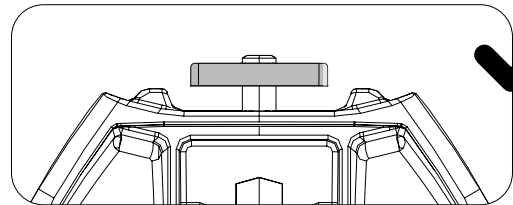
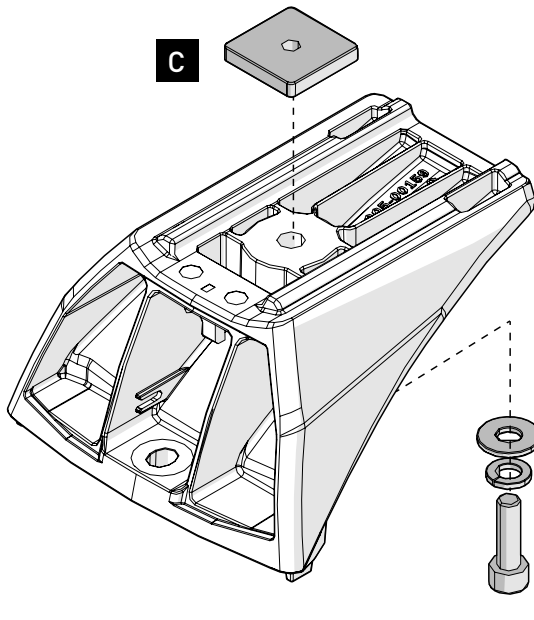
A



FOR HD CROSS BARS

SKIP TO STEP **21**

2



PIONEER



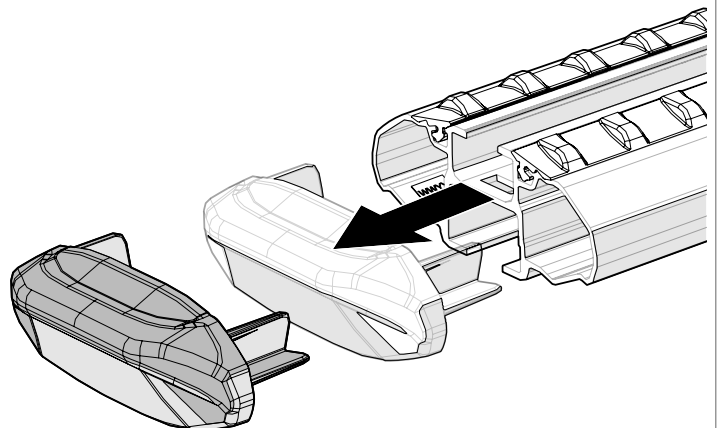
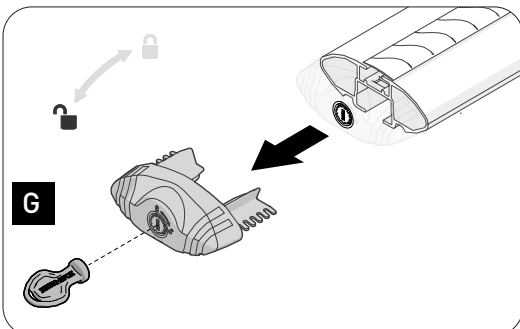
ONCE COMPLETED

SKIP TO STEP **23**

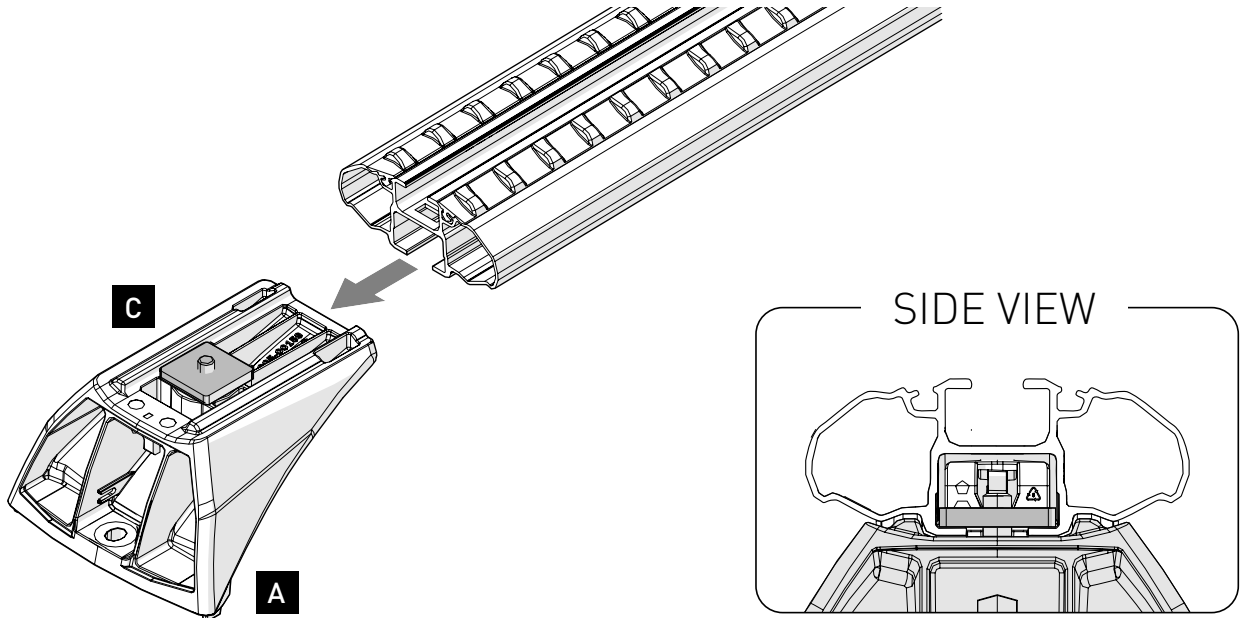
3

NOTE

For VA & **RECONN-DECK** Bars use **G**



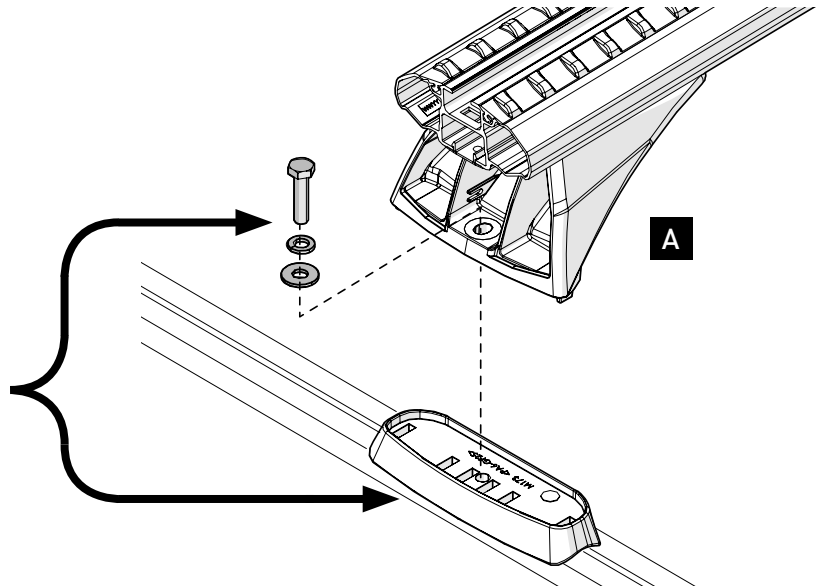
4



5

NOTE

Refer to **Base Kit** for torque specifications. (Hardware may vary depending on the Base Kit)



FOR VA CROSS BARS



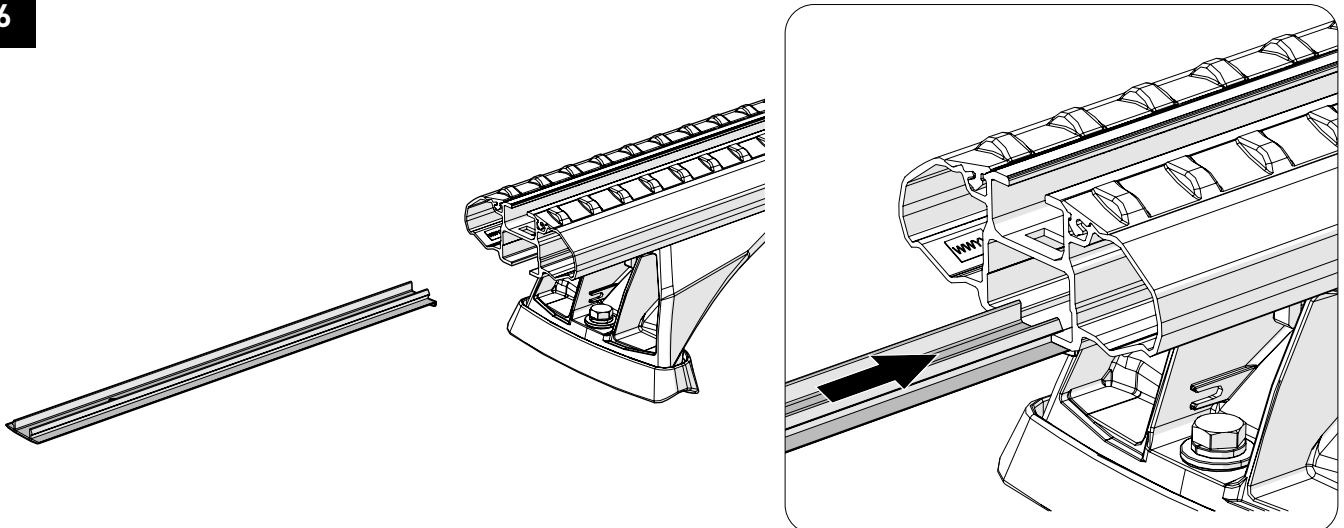
SKIP TO STEP **12**

FOR RECONN-DECK CROSS BARS



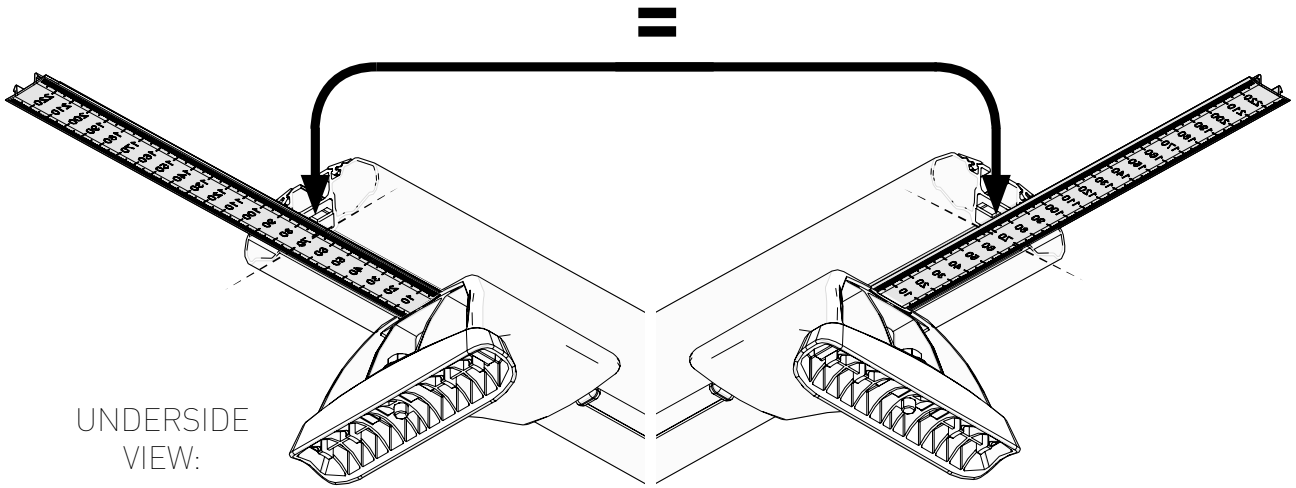
SKIP TO STEP **18**

6

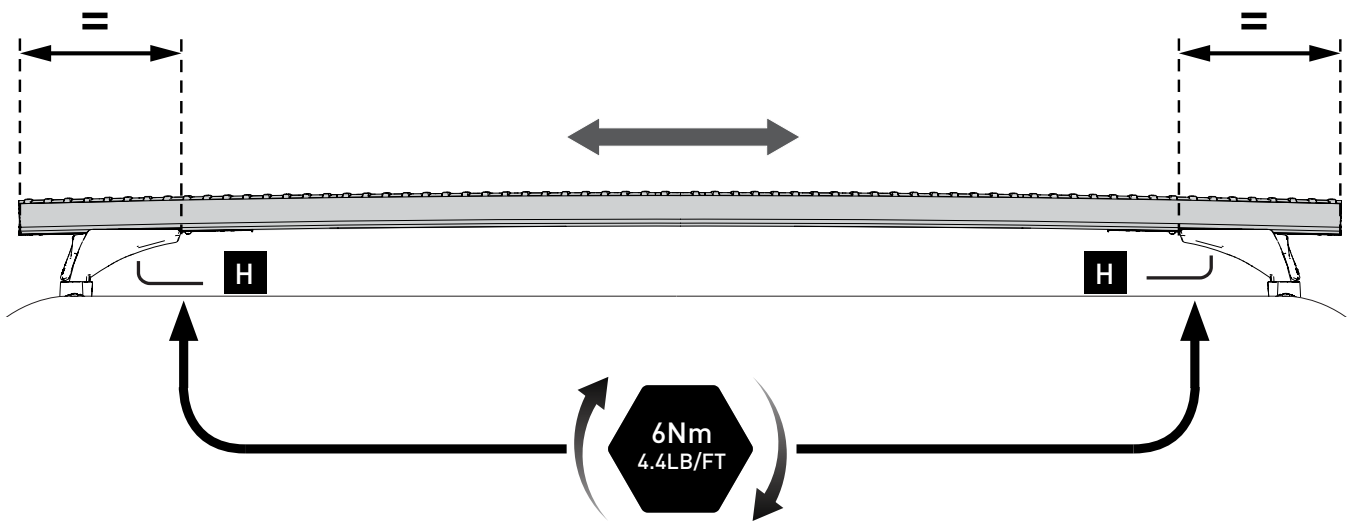


7 Compare the **underbar strips** on both sides to ensure crossbars are positioned equally

UNDERSIDE
VIEW:



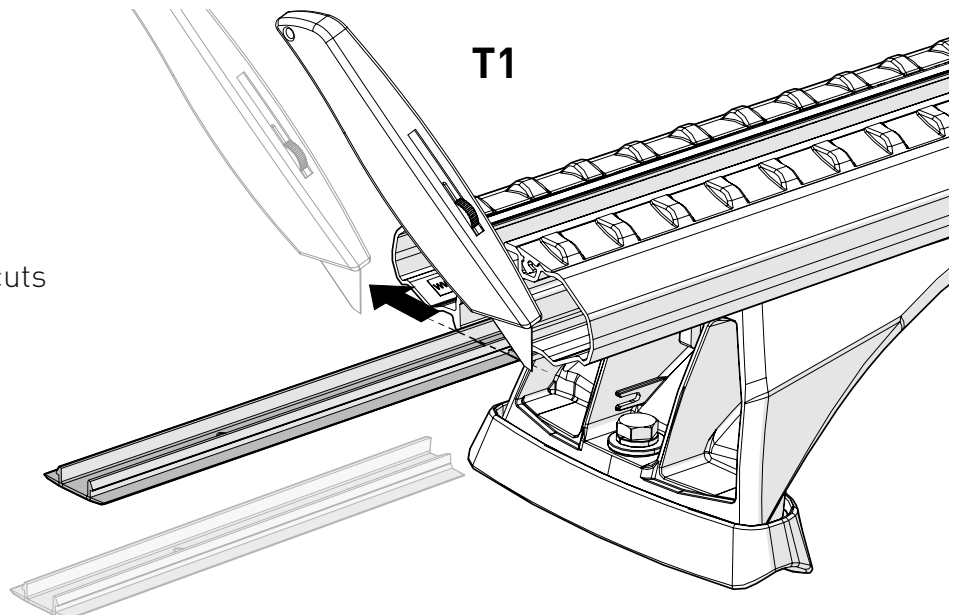
8 While **incrementally tightening** legs, check bar overhang is still equal.



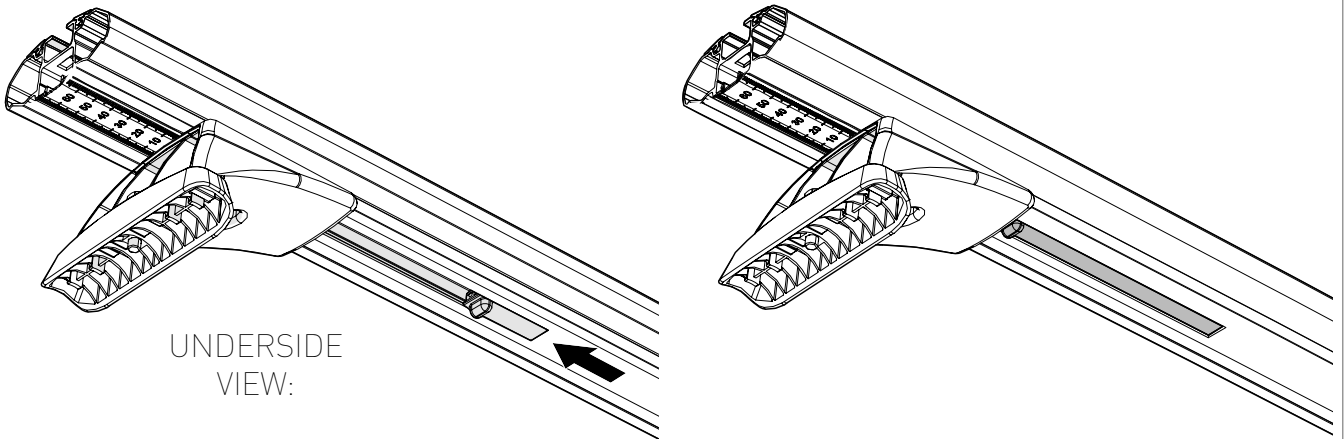
9

NOTE

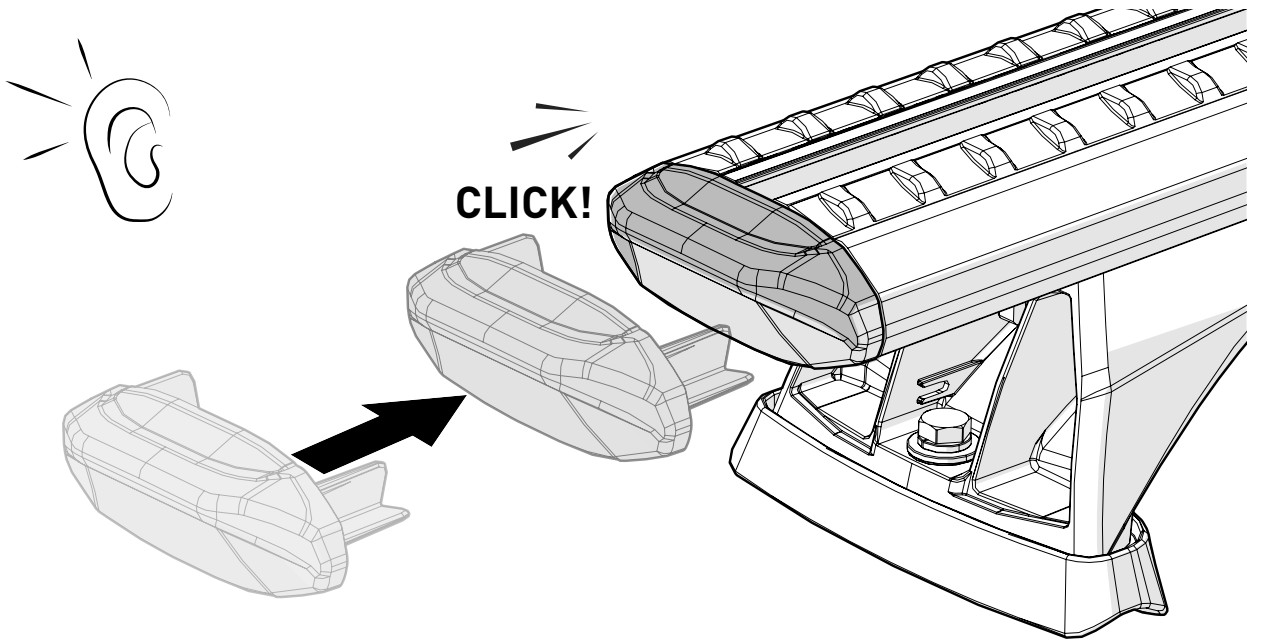
Store any remaining offcuts
in a safe place



10 Pull out the **underbar slide** to close the gap.

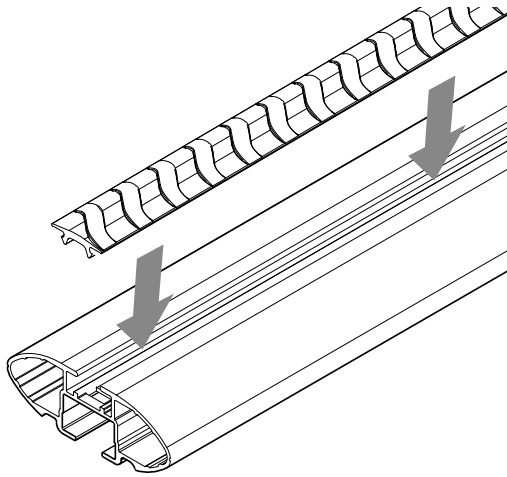


11

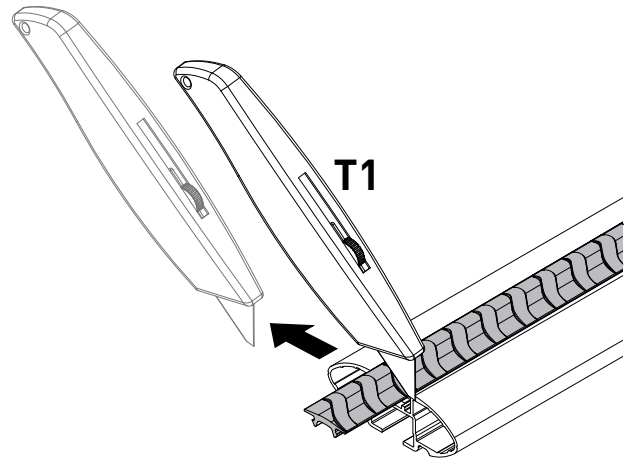


 **FOR *SPORTZ* CROSS BARS**
SKIP TO STEP **18**

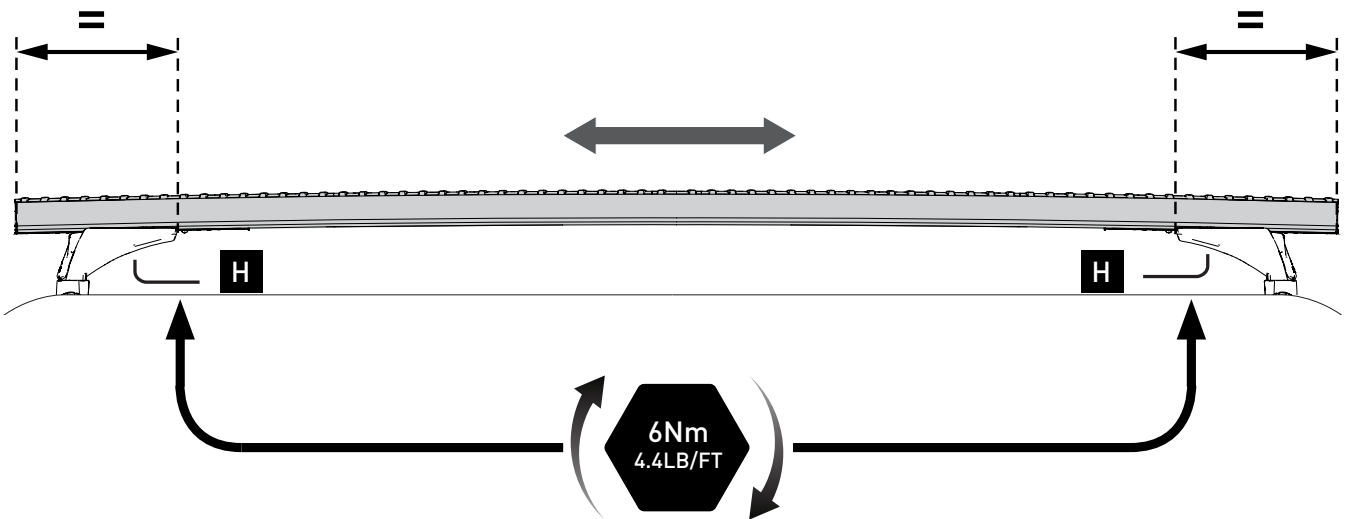
12



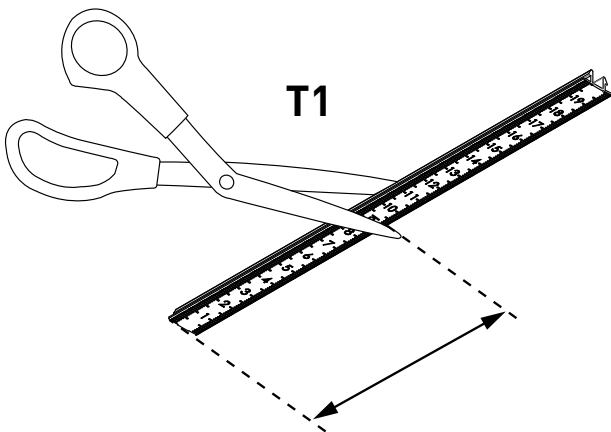
13



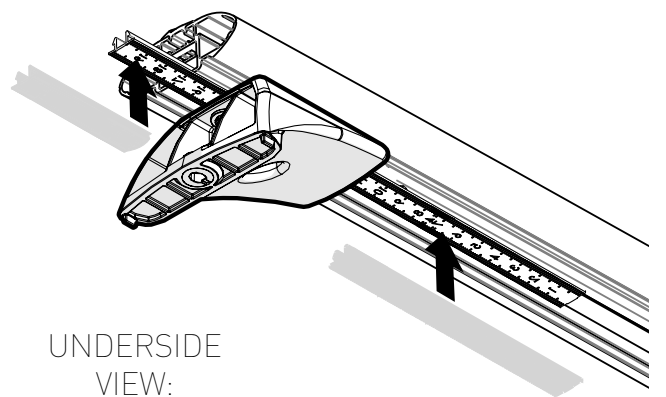
14



15



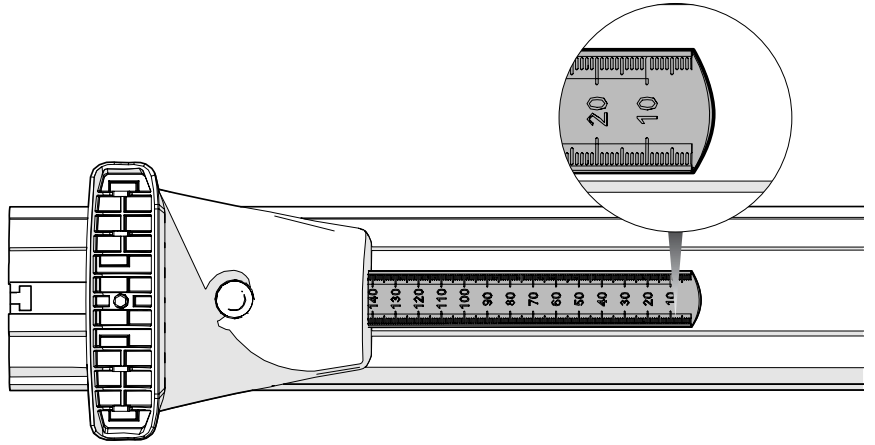
16



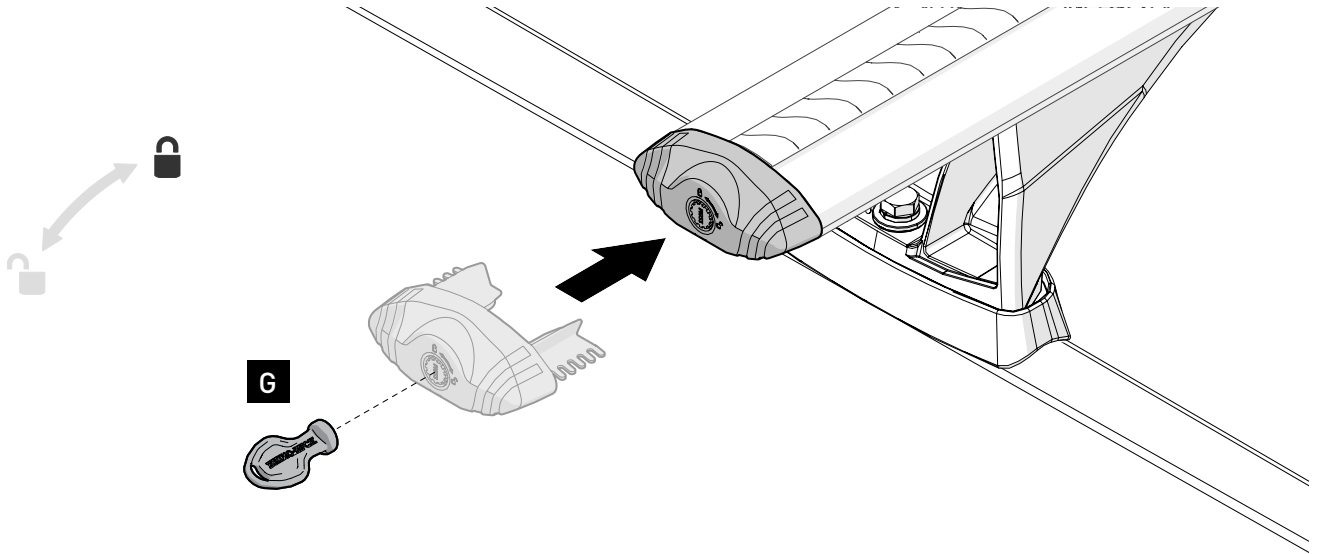
UNDERSIDE VIEW:

NOTE

Ensure that the numbers begin closest to the center of the crossbars.



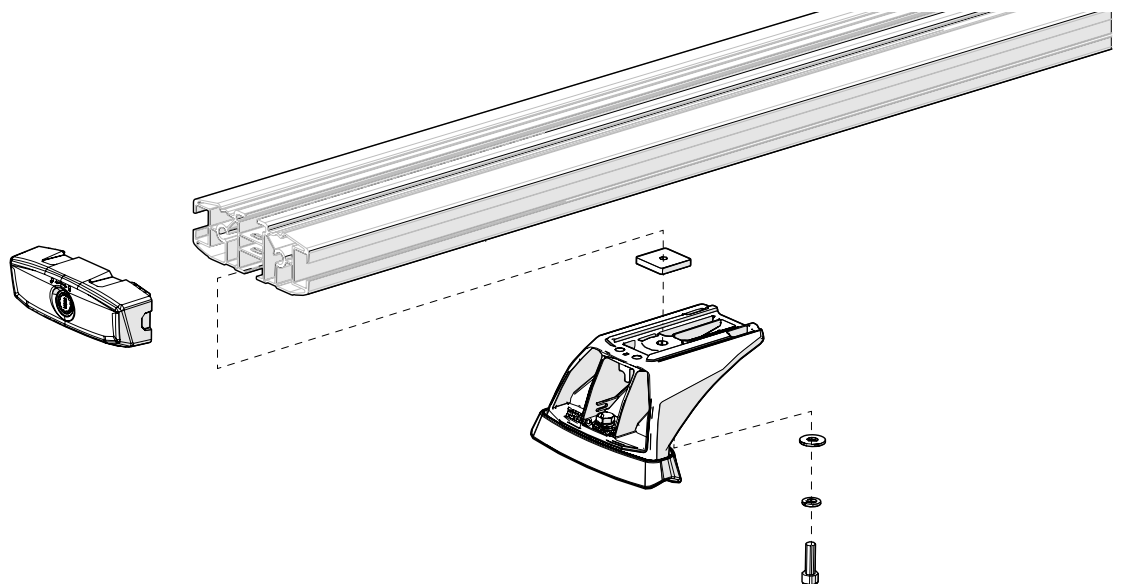
17



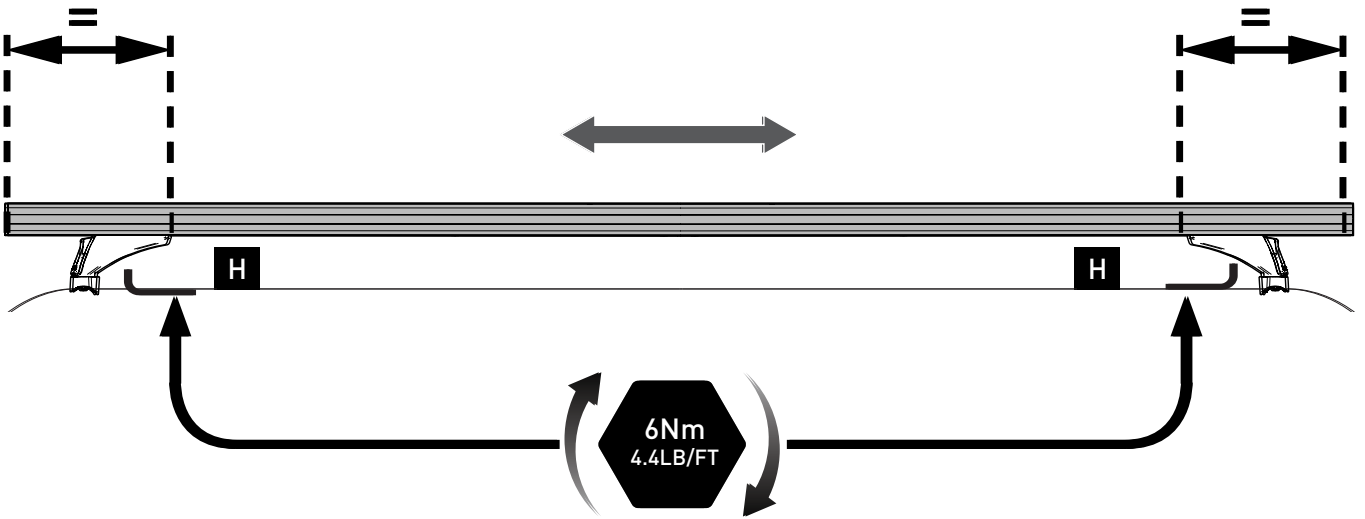
FOR VA CROSS BARS

SKIP TO STEP **24**

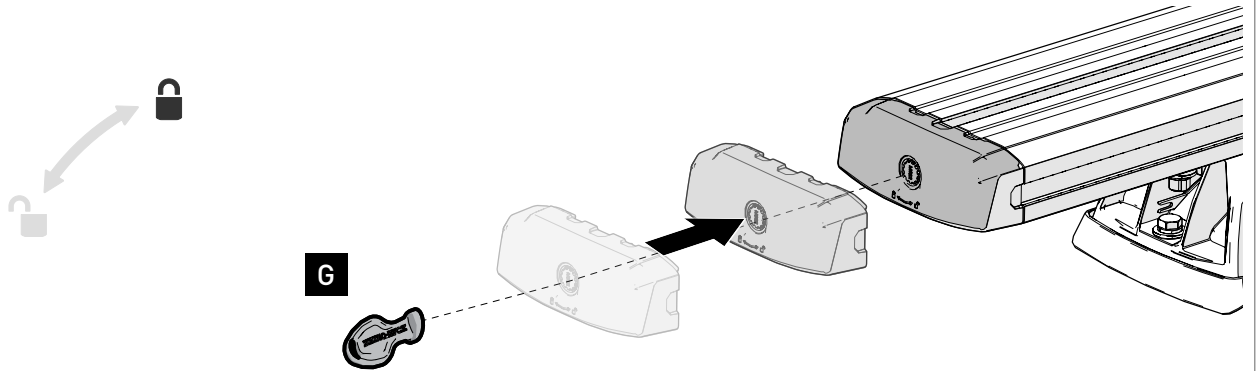
18



19

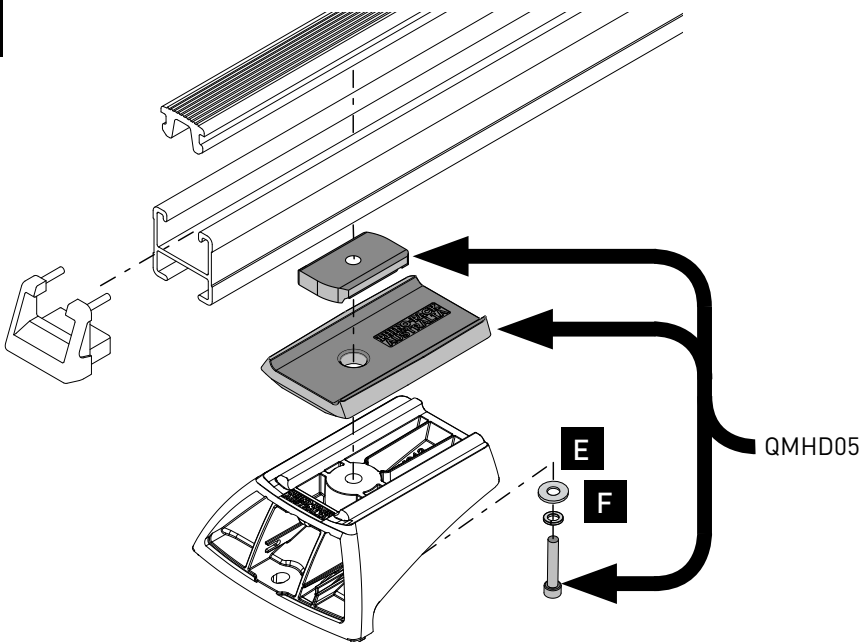


20

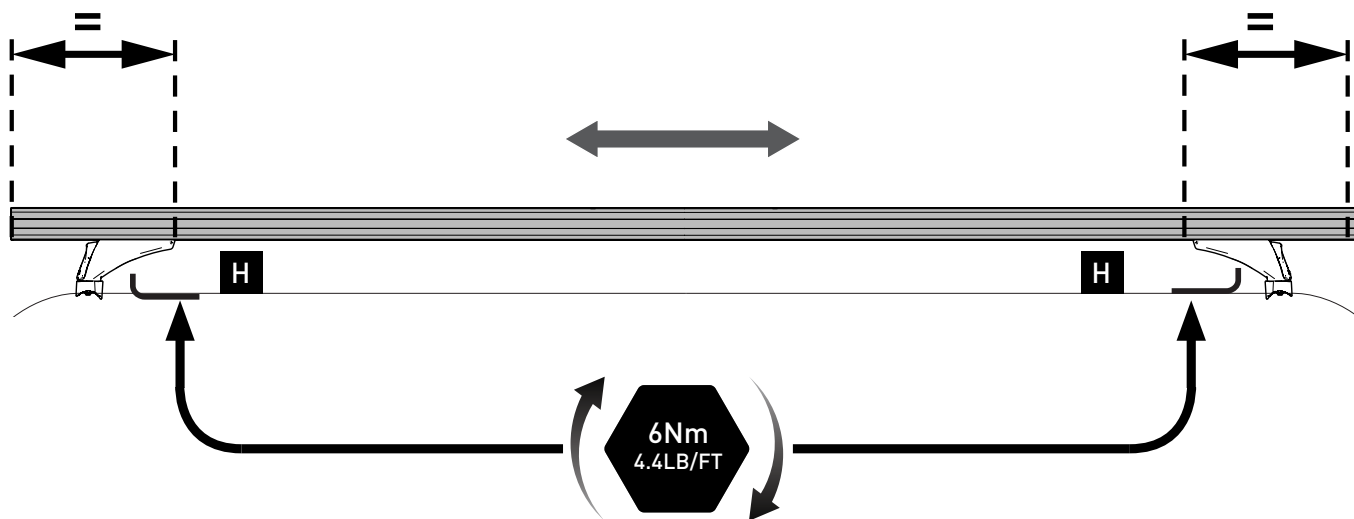


 **FOR RECONN-DECK CROSS BARS**
 SKIP TO STEP **24**

21



22

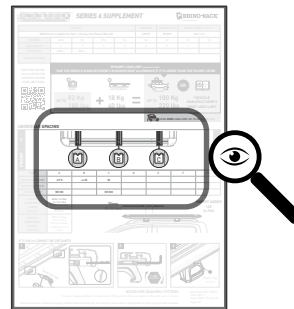
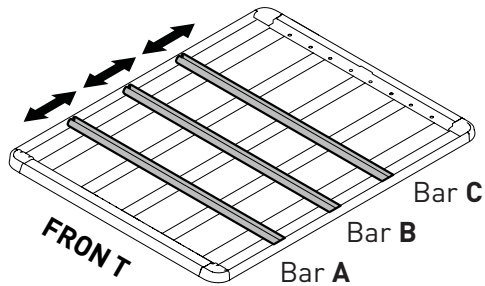


FOR HD CROSS BARS

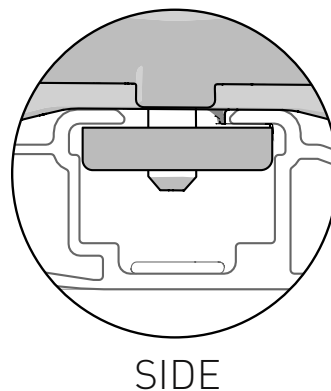
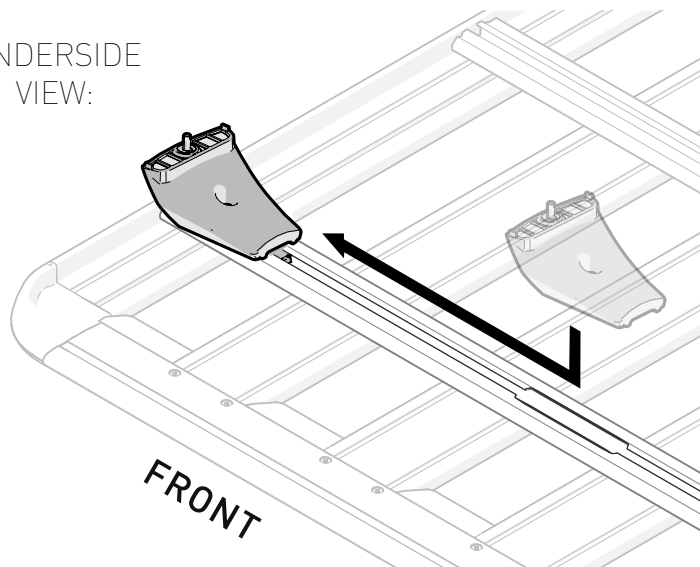
SKIP TO STEP **24**

23

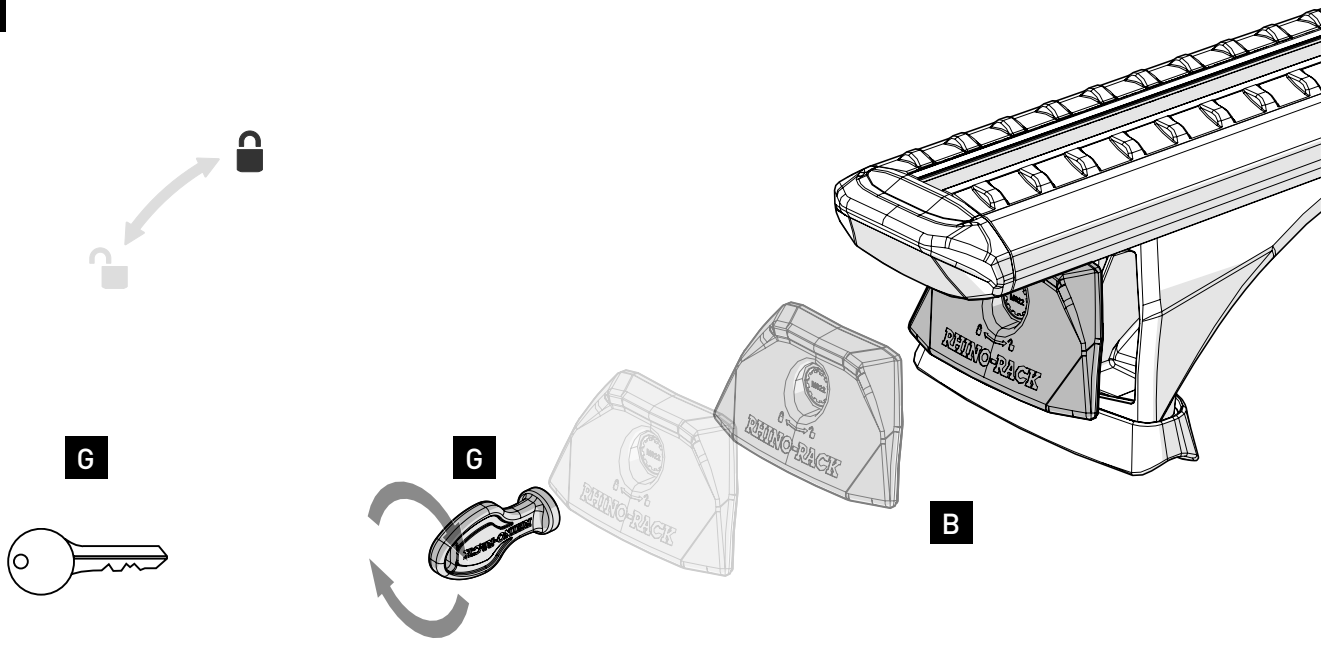
Proceed to [PIONEER FITTING CHART](#) to adjust Platform underbars.



UNDERSIDE VIEW:



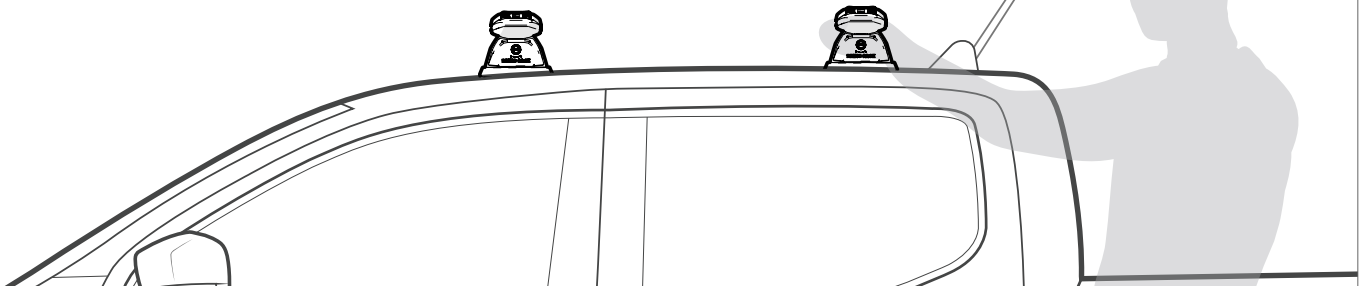
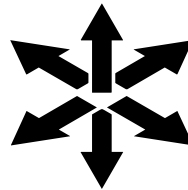
24

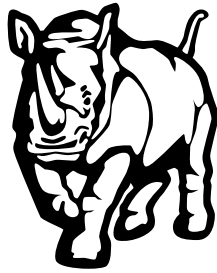


25



Check fitment is secure before use





RHINO-RACK®

MAKE SPACE FOR ADVENTURE

RHINORACK.COM

Rhino-Rack AUSTRALIA

22A Hanson Pl,
Eastern Creek, NSW, 2766

Rhino-Rack USA

19822 E 22nd Ave,
Aurora, CO, 80011